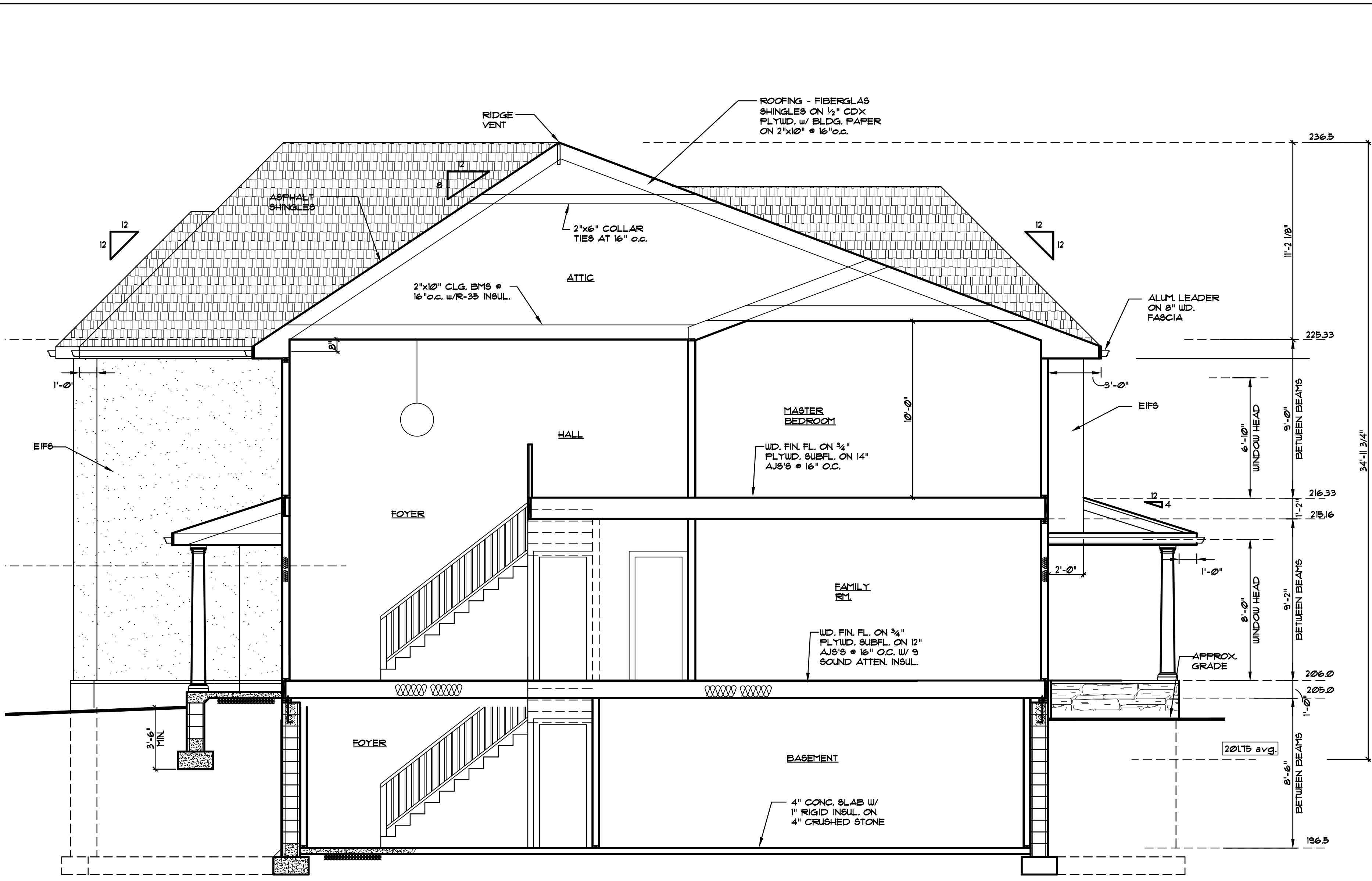
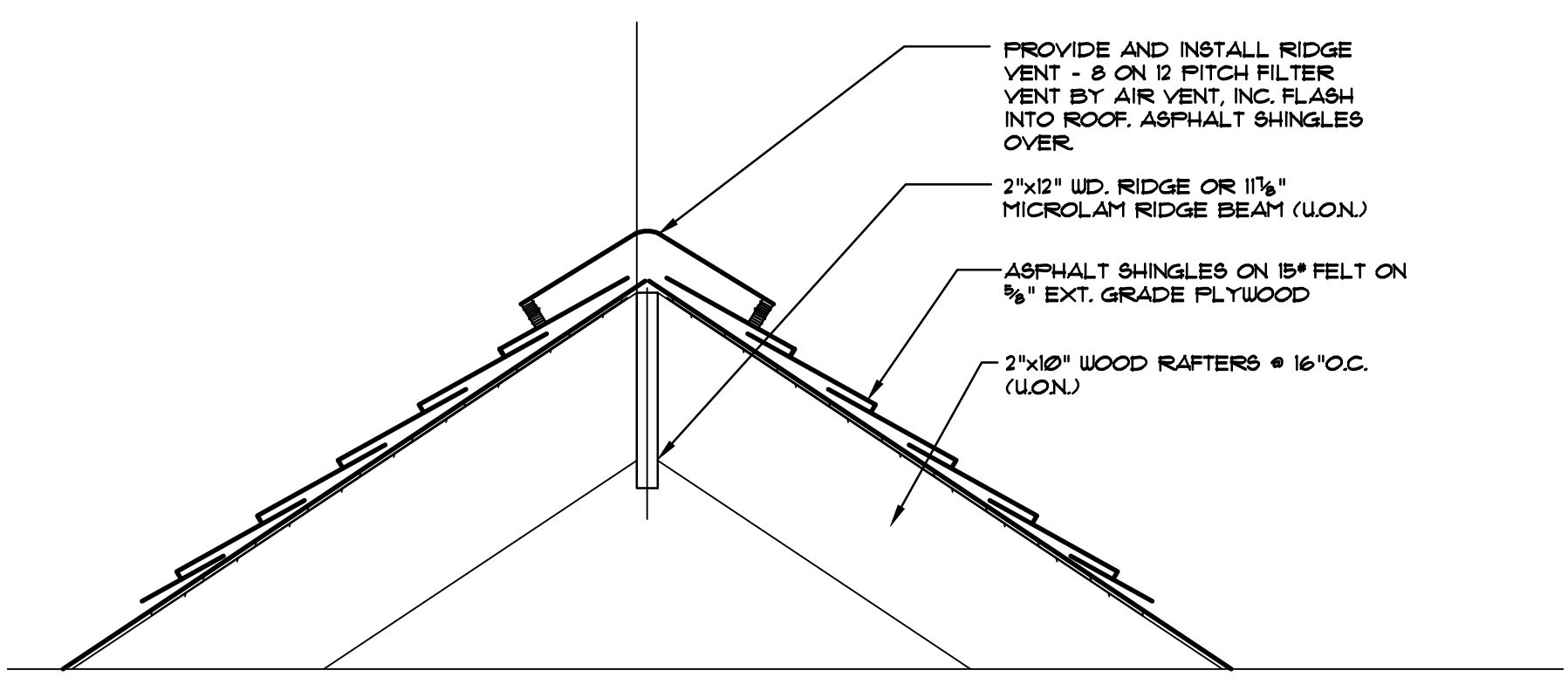


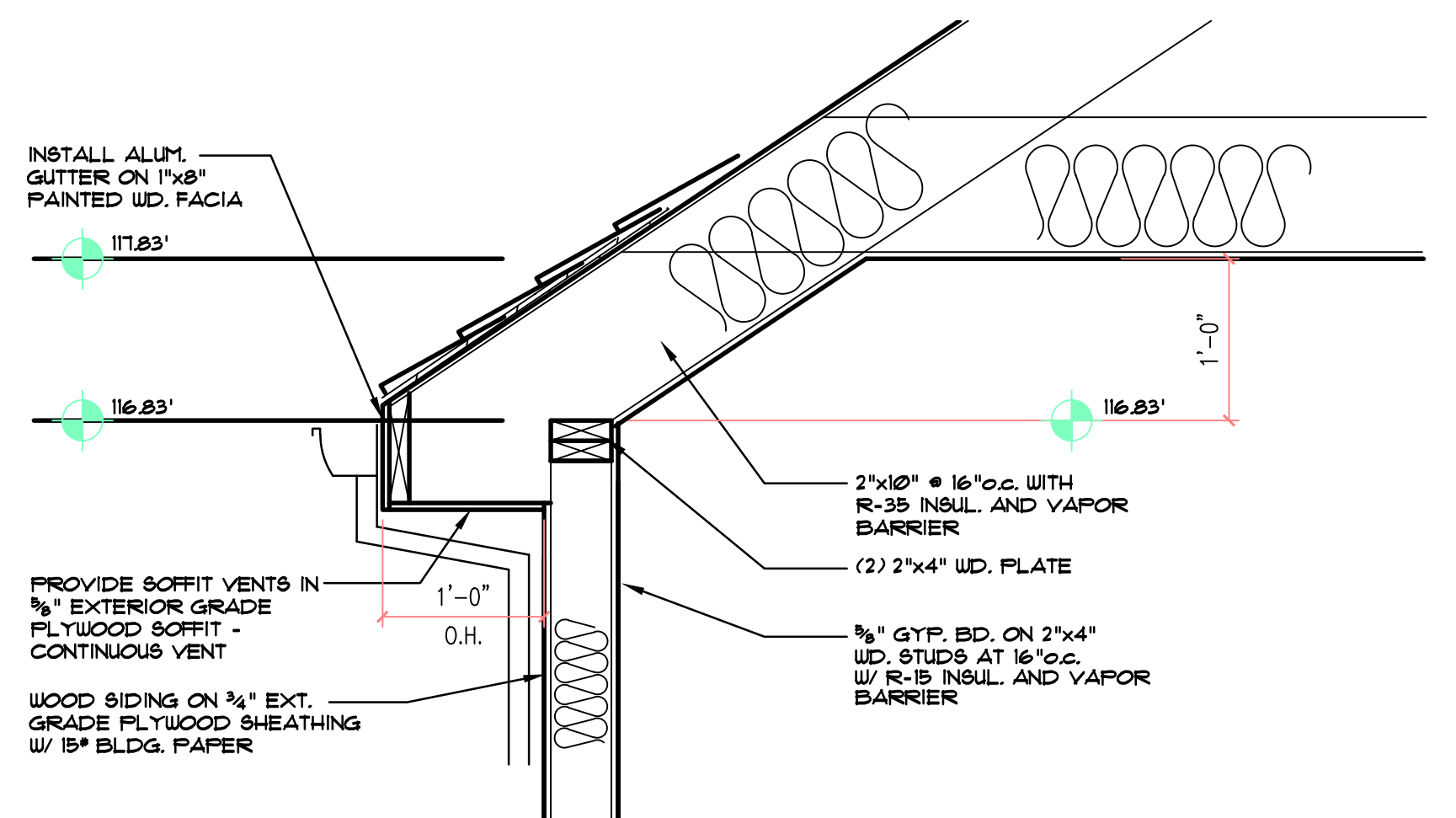
**B WALL SECTION**  
SCALE: 3/4" = 1'-0"



**A BUILDING SECTION**  
SCALE: 1/4" = 1'-0"



**1 DETAIL AT CEILING RIDGE**  
SCALE: 1" = 1'-0"



**2 DETAIL AT EAVE**  
SCALE: 1" = 1'-0"

8-19-13 MISCELLANEOUS REVISIONS

NO	DATE	REVISIONS

PROPOSED NEW HOME FOR  
**MR. & MRS. ILAN REICH**  
29 CLIVE HILL ROAD  
SHORT HILLS, N.J. 07078

SECTION AND DETAILS  
-



**JAMES S. KARAS, ARCHITECT**  
27 BRIAR HILLS CIRCLE  
SPRINGFIELD, N.J. 07081  
TEL. 973 - 467 - 9340  
FAX 973 - 467 - 9353  
JAMES S. KARAS  
N.J. C-09697

DATE	JOB NO.
JULY 14, 2013	13-0806
SCALE	DWN. BY
AS NOTED	J.K.
DRG. NO.	

**A-8**

CHECKED	10 OF 12
J.K.	